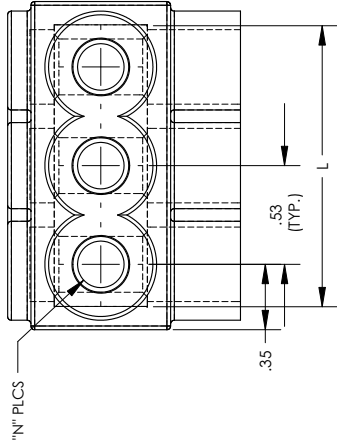
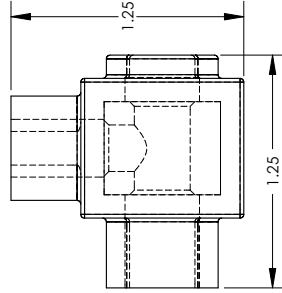
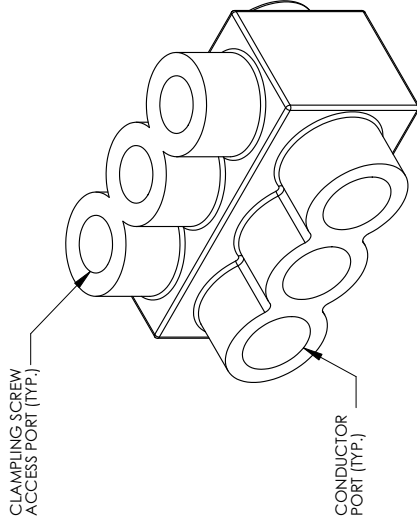
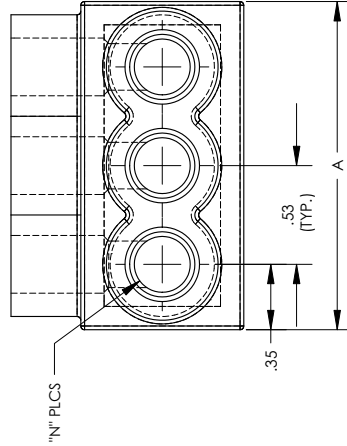


THIS COPY IS PROVIDED ON A RESTRICTED BASIS AND IS NOT TO BE USED IN ANY WAY DETRIMENTAL TO THE INTERESTS OF PANDUIT CORP.



THREE PORT CONNECTOR BLOCK SHOWN WITH PLASTIC CLOSURE PLUGS REMOVED. SEE TABLE FOR DIMENSIONS OF PARTS WITH ADDITIONAL PORTS



PANDUIT FINISHED GOODS PIN	CONDUCTOR RANGE	HEX KEY	SCREW QTY.	CAP (SCREW PORT) QTY.	CAP (WIRE PORT) QTY.	A	L	N	TIGHTENING TORQUE
PCSB350-2S-4Y	350 kcmil - #10 STR	5/16	2	2	2	2.17	1920	2	
PCSB350-3S-4Y		5/16	3	3	3	3.17	2920	3	
PCSB350-4S-3Y		5/16	4	4	4	4.17	3920	4	
PCSB350-5S-3Y		5/16	5	5	5	5.17	4920	5	275 in/lb
PCSB350-6S-2Y		5/16	6	6	6	6.17	5920	6	
PCSB350-8S-2Y		5/16	8	8	8	8.17	7920	8	
PCSB350-10S-2Y		5/16	10	10	10	10.17	9920	10	
PCSB350-12S-1Y		5/16	12	12	12	12.17	11920	12	
PCSB350-14S-1Y		5/16	14	14	14	14.17	13920	14	

NOTES:

- UL486A-UL486B LISTED. DUAL RATED CU9AL FOR ALUMINUM OR COPPER CONDUCTORS. MEETS OR EXCEEDS ANSI C119.4
- SEE TABLE FOR WIRE RANGE.
- STRIP LENGTH: 1.00 + .06/-0
- FOR TIGHTENING TORQUE SEE TABLE
- VOLTAGE RATING: 600 V. MAX. BUILDING WIRE, 1000 V. MAX. IN SIGNS & FIXTURES.
- TEMPERATURE RATING: 90 °C (CU9AL).
- CONNECTOR BLOCK BODY ARE MADE FROM ALUMINUM. CONDUCTOR PORTS IN CONNECTOR BLOCK ARE PREFILLED WITH AN OXIDE-INHIBITING COMPOUND.
- CONNECTOR TO INCLUDE TIN PLATED ALUMINUM CLAMPING SCREWS FOR EACH CONDUCTOR PORT.
- INSULATION MATERIAL IS CLEAR PVC.
- CLAMPING SCREW ACCESS PORTS AND ALL WIRE ENTRY PORTS ARE PROVIDED WITH REMOVABLE PLASTIC CLOSURE PLUGS.
- ALL DIMENSIONS SHOWN ARE NOMINAL.
- ONLY ONE CONDUCTOR PER PORT ALLOWED.
- PACKAGE QTY: -12 = 12 PCS.
-6 = 6 PCS.
-4 = 4 PCS.
-3 = 3 PCS.
-2 = 2 PCS.
- THIS PART IS ROHS COMPLIANT



PANDUIT CORP. TINLEY PARK, ILLINOIS MULTI-TAP INSULATED CONNECTORS PCSB350 SERIES SINGLE SIDED				UNLESS OTHERWISE SPECIFIED, DIMENSIONAL TOLERANCES ARE: (X) ± (XX) ± ANGLES ±		UNLESS OTHERWISE SPECIFIED, DIMENSIONAL TOLERANCES ARE: (X) ± (XX) ± ANGLES ±		SCALE 1.5:1
				DRAWN BY JVS	DATE 08/99	CHK'D RLS	APP	QA
REV 02	DATE 11/09	BY JHNU	CHK JHNU	APP	QA	CUST	ECN	DESCRIPTION
REVISION NOTE 3: 1.00 WAS .56 ADDED HEX KEY SIZE TO TABLE								

DWG C41527_02	SIZE B
---------------	--------